

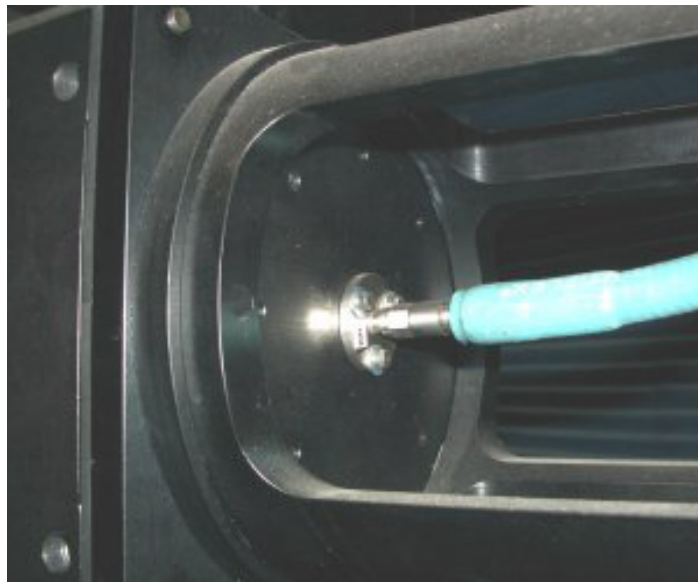
NSI-RF-5966

Single Channel Rotary Joint, DC - 40 GHz



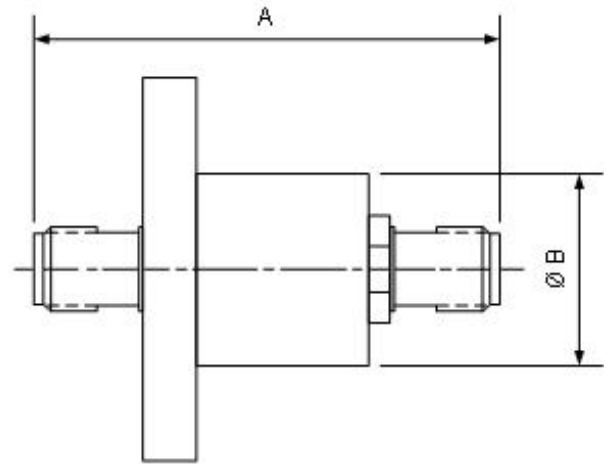
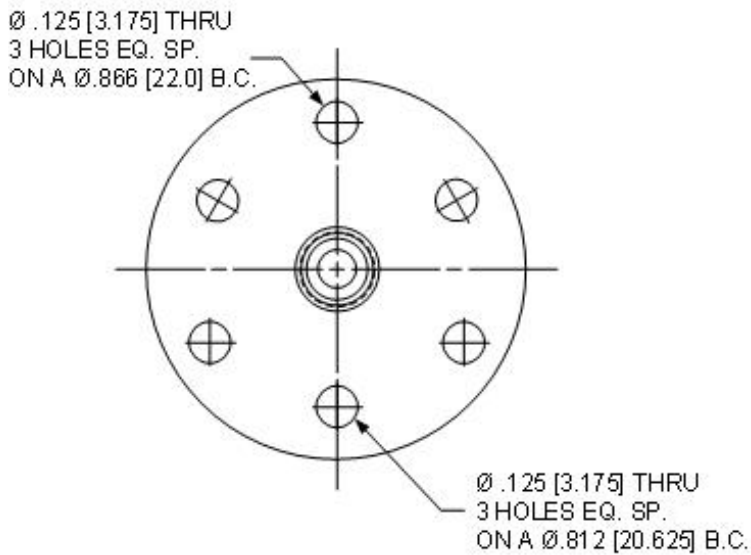
DESCRIPTION

NSI's DC-40 GHz Rotary Joint allows RF signals to pass thru our rotation stages with no need for flexible RF cables. These are typically used in our probe rotation stages, as well as our far-field and cylindrical near-field azimuth stages, and the azimuth and phi stages in our spherical systems. For systems requiring external mixers mounted on moving devices, the rotary joint can pass the RF or the LO/IF cable to the mixer.



Typical Rotary Joint Installation on NSI Rotation Stage

SPECIFICATIONS	
NSI Model	NSI-RF-5966
Connector	2.9mm(f,f)
Frequency (GHz)	DC-40
VSWR	1.4 (up to 18 GHz), 1.65 (18 - 26.5 GHz), 1.8 (26.5 - 40 GHz)
Insertion Loss (dB)	0.5 (up to 18 GHz), 0.75 (18 - 26.5 GHz), 1.0 (26.5 - 40 GHz)
Insertion Loss wow (dB)	0.05 (up to 12 GHz), 0.1 (12 - 40 GHz)
Peak Power (kW)	500 (at 1 GHz)
Ave. Power (W)	50 (at 1 GHz)
Start Torque	0.035 Nm (5 in-oz)
Rotate Speed (Rpm)	200



DIMENSIONS

- ◆ Weight - 1.5 oz. (43 g)
- ◆ Length (A) - 1.38 " (35.1 mm)
- ◆ Diameter (B) - 0.562" (14.3 mm)

ORDERING INFORMATION

Please contact the NSI Sales department to order this product.

Nearfield Systems, Incorporated

19730 Magellan Drive, Torrance, CA 90502, USA, Tel: 310.525.7000, Fax: 310.525.7100
 Email: sales@nearfield.com. Visit our website: www.nearfield.com